

1 2 3 4 5 6 7 8

A

106 RADIATION TOOL PMT VOLTAGE DIVIDER (1-1/8" Hard Pin Tubes - 2 Wire)

GO / GOI / MLS COSMOS Tool Style

B

C

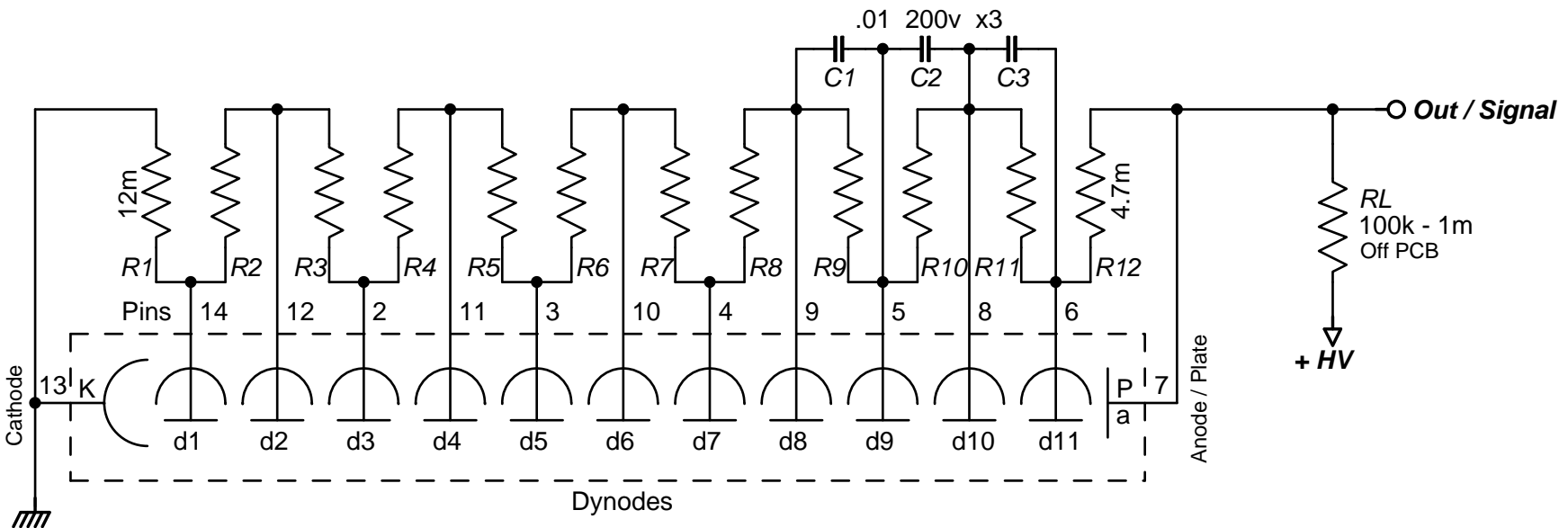
D

E

F

G

H



NOTES:
 For 1-1/8" inch hard pin photomultipliers:
 9924B, R1282, R-268, R6094/6095, etc.
 Resistors 6.8 megohm except as noted.
 Omit C4 on 106PMT-3c PCB.

www.logwell.com

PCB: 106PMT-3b/c

Copyright 2008 by AnaLog Services, Inc. All rights reserved.
 Reproduction is unlawful without express written permission.

AnaLog Services, Inc.

1169 Haynesville Road - Reynolds Station, KY 42368 (270) 276-5671 Fax: (270) 276-5588

106 PMT Divider		106PMT3.sch
Sheet Size: A	Creation Date: 07/01/2008	Drawn By: Syd H. Levine
Revision: 1.0	Modify Date: 05/11/2010	Sheet 1 of 1