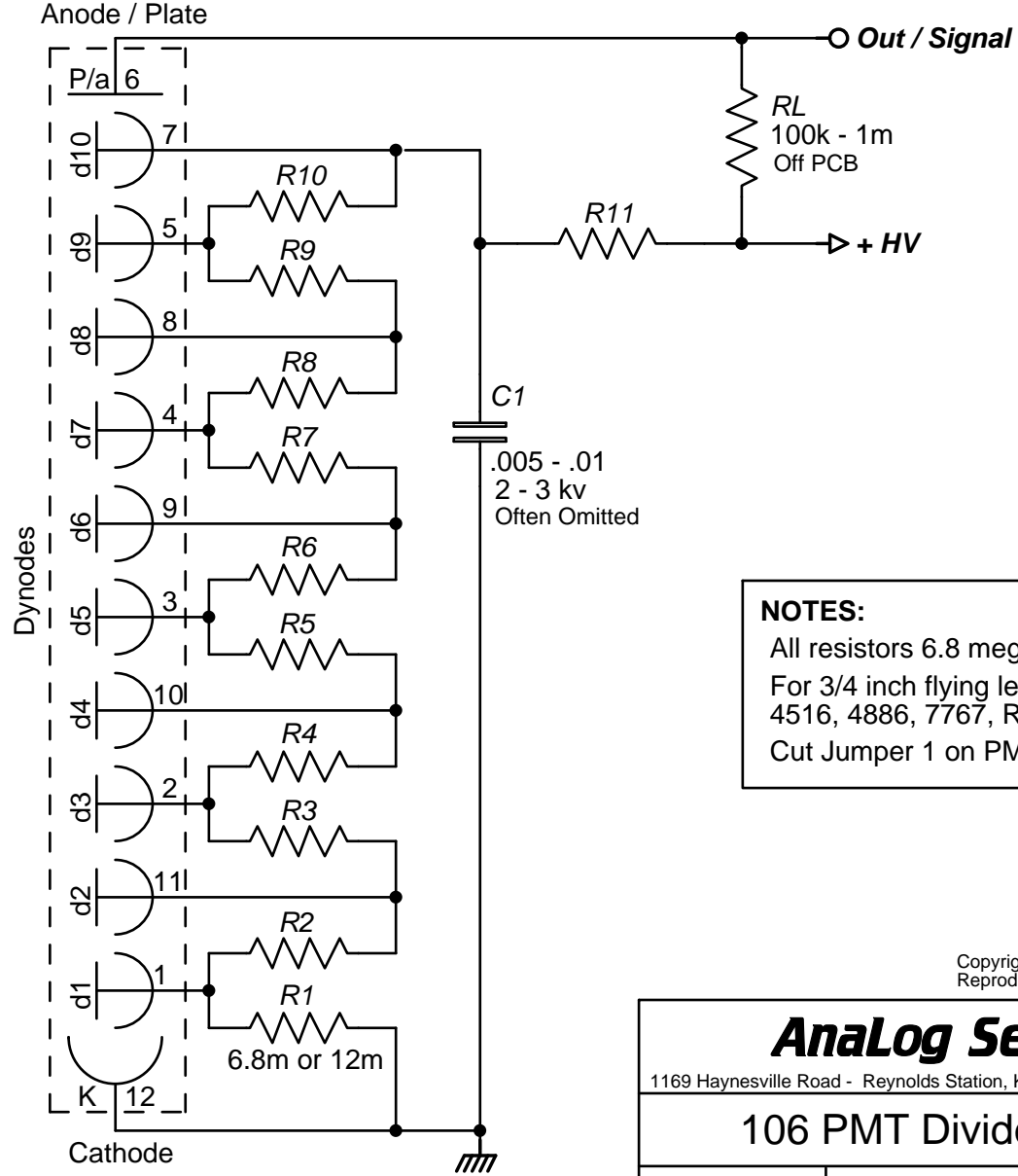


**106 RAD TOOL PMT VOLTAGE DIVIDER (3/4 Inch Flying Lead Tubes - 3 Wire)**



**NOTES:**  
 All resistors 6.8 megohm.  
 For 3/4 inch flying lead photomultipliers:  
 4516, 4886, 7767, R1281, R3991, etc.  
 Cut Jumper 1 on PMT-2b PCB.

Copyright 2008 by AnaLog Services, Inc. All rights reserved.  
 Reproduction is unlawful without express written permission.

<b>AnaLog Services, Inc.</b>		
1169 Haynesville Road - Reynolds Station, KY 42368 (270) 276-5671 Fax: (270) 276-5588		
106 PMT Divider		106PMT2A.sch
Sheet Size: A	Creation Date: 07/01/2008	Drawn By: Syd H. Levine
Revision: 1.0	Modify Date: 05/09/2010	Sheet 1 of 1

A  
B  
C  
D  
E  
F  
G  
H