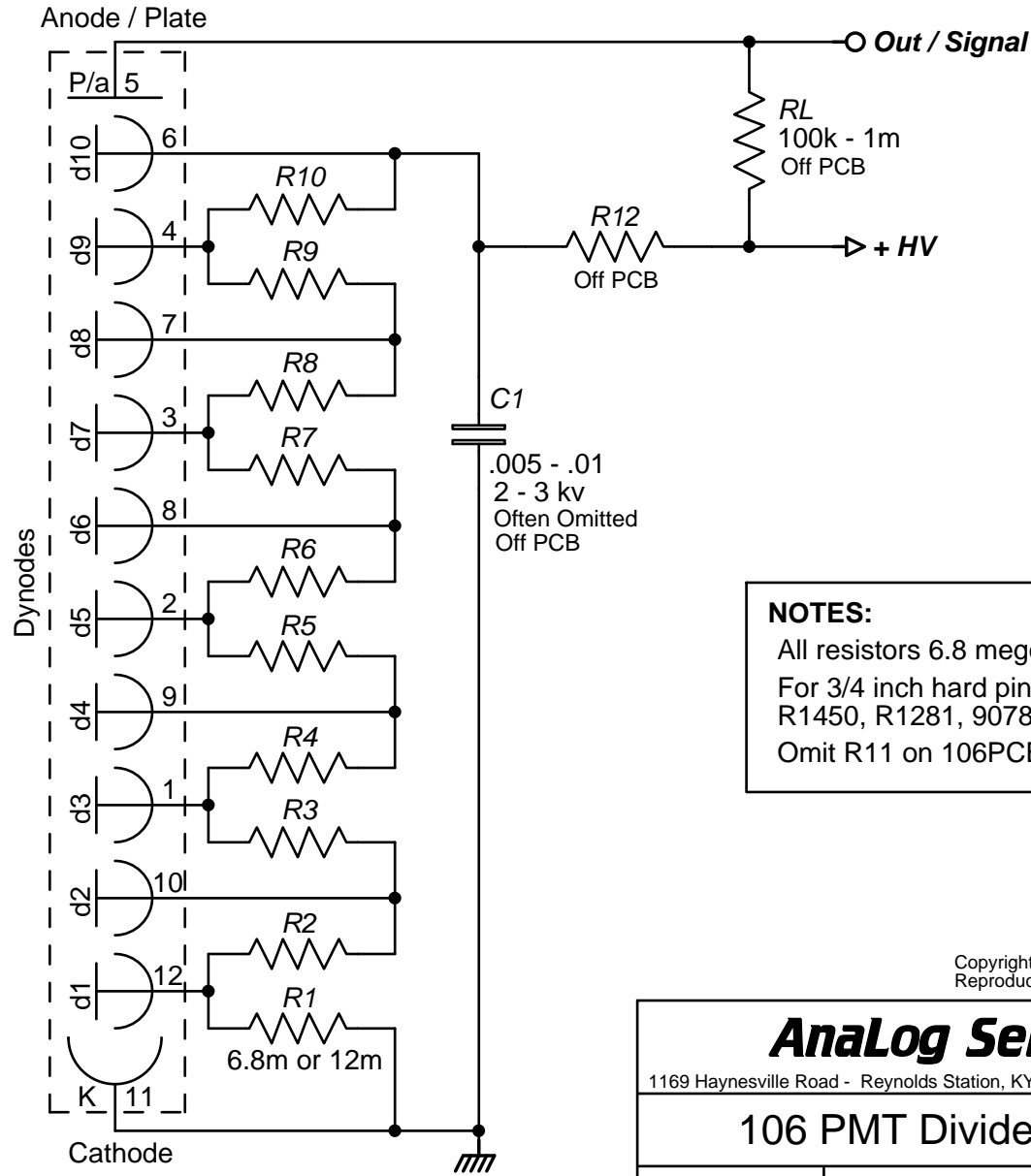


106 RADIATION TOOL PMT VOLTAGE DIVIDER (3/4 Inch Hard Pin Tubes - 3 Wire)



NOTES:

All resistors 6.8 megohm.
 For 3/4 inch hard pin photomultipliers:
 R1450, R1281, 9078, XP1918, etc.
 Omit R11 on 106PCB-1b.

Copyright 2008 by AnaLog Services, Inc. All rights reserved.
 Reproduction is unlawful without express written permission.

AnaLog Services, Inc.

1169 Haynesville Road - Reynolds Station, KY 42368 (270) 276-5671 Fax: (270) 276-5588

106 PMT Divider

106PMT1A.sch

Sheet Size: A

Creation Date: 07/01/2008

Drawn By: Syd H. Levine

Revision: 1.0

Modify Date: 04/23/2010

Sheet 1 of 1