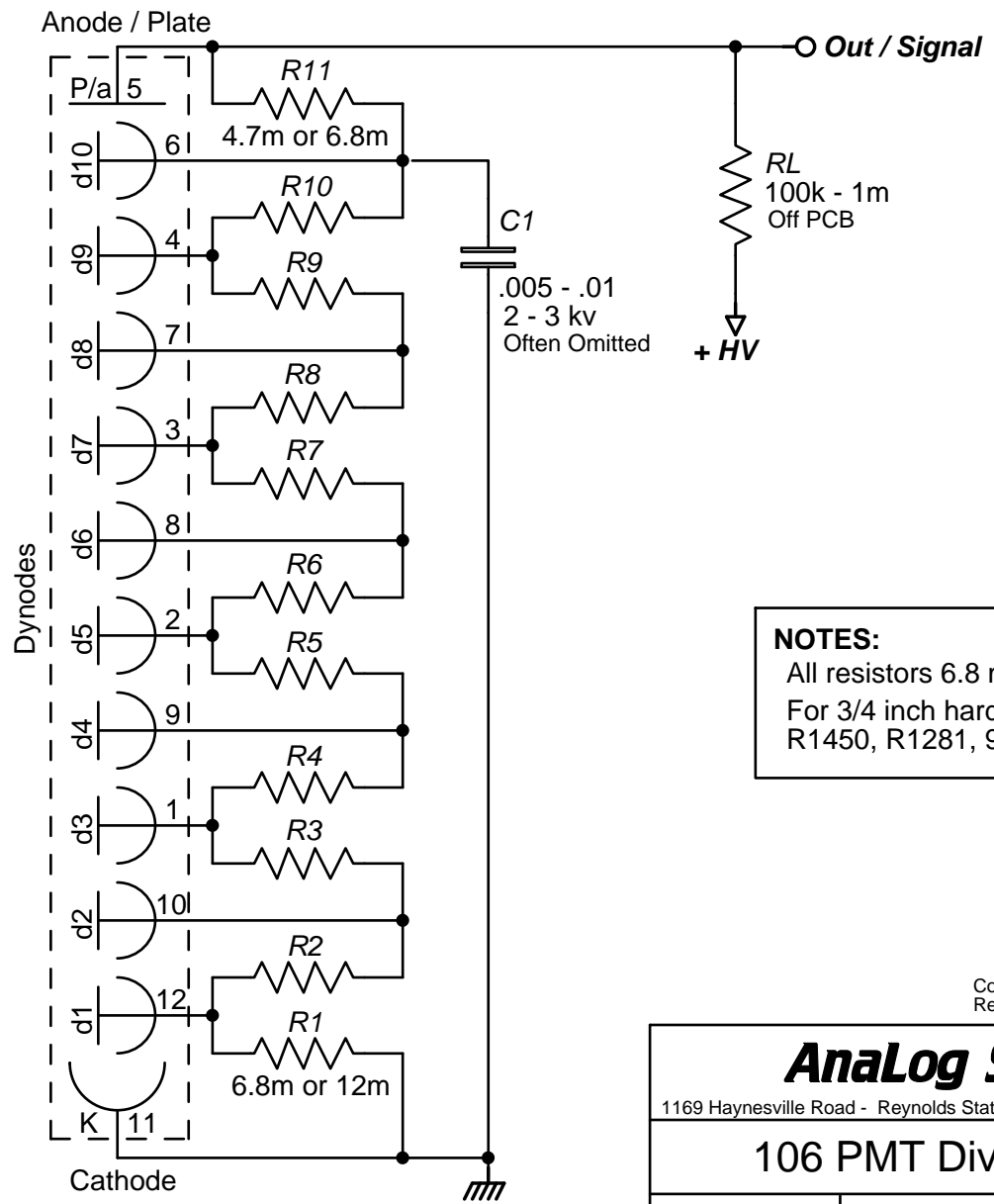


A 106 RADIATION TOOL PMT VOLTAGE DIVIDER (3/4 Inch Hard Pin Tubes - 2 Wire)



NOTES:
 All resistors 6.8 megohm.
 For 3/4 inch hard pin photomultipliers:
 R1450, R1281, 9078, XP1918, etc.

Copyright 2008 by AnaLog Services, Inc. All rights reserved.
 Reproduction is unlawful without express written permission.

AnaLog Services, Inc.

1169 Haynesville Road - Reynolds Station, KY 42368 (270) 276-5671 Fax: (270) 276-5588

106 PMT Divider		106PMT1.sch
Sheet Size: A	Creation Date: 07/01/2008	Drawn By: Syd H. Levine
Revision: 1.0	Modify Date: 04/23/2010	Sheet 1 of 1