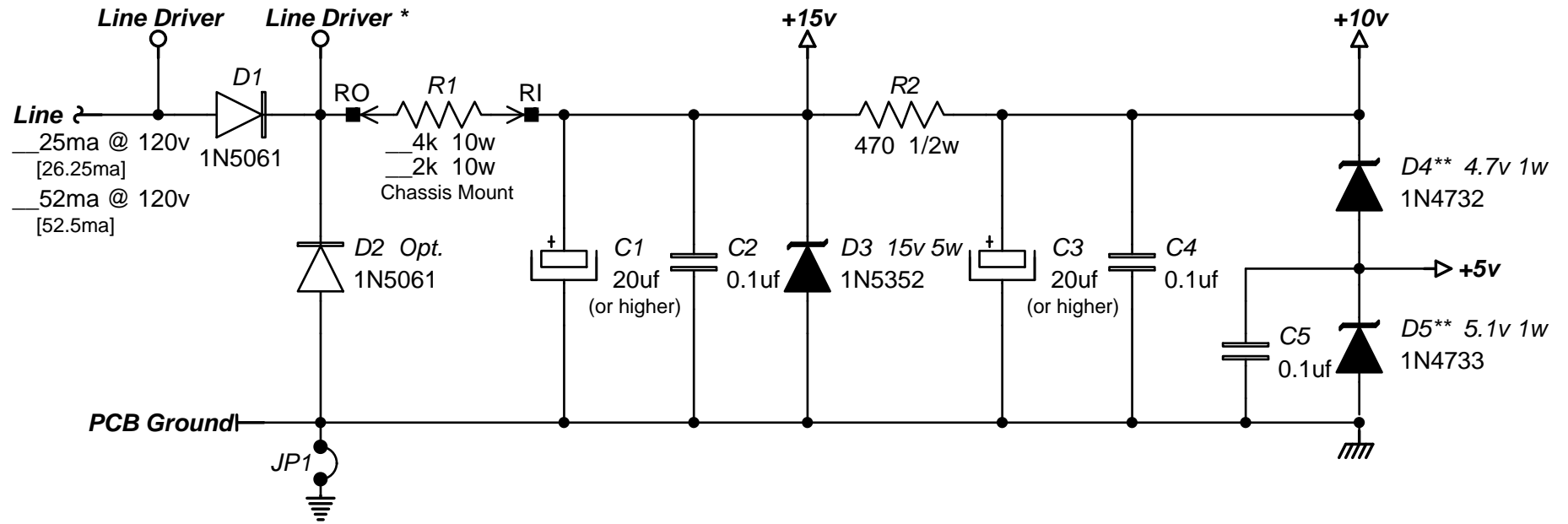


106 RADIATION / TEMPERATURE TOOL LOW VOLTAGE POWER SUPPLY



Copyright 2008 by AnaLog Services, Inc. All rights reserved.
 Reproduction is unlawful without express written permission.

NOTES:
 * Input negative pulses only at this port.
 ** Mix and match 4.7 and 5.1 volt zeners to tailor tempco.

AnaLog Services, Inc.		
1169 Haynesville Road - Reynolds Station, KY 42368 (270) 276-5671 Fax: (270) 276-5588		
106 LV Power Supply 3		106LVPS3.sch
Sheet Size: A	Creation Date: 10/20/2008	Drawn By: Syd H. Levine
Revision: 1.0	Modify Date: 01/17/2010	Sheet 1 of 1