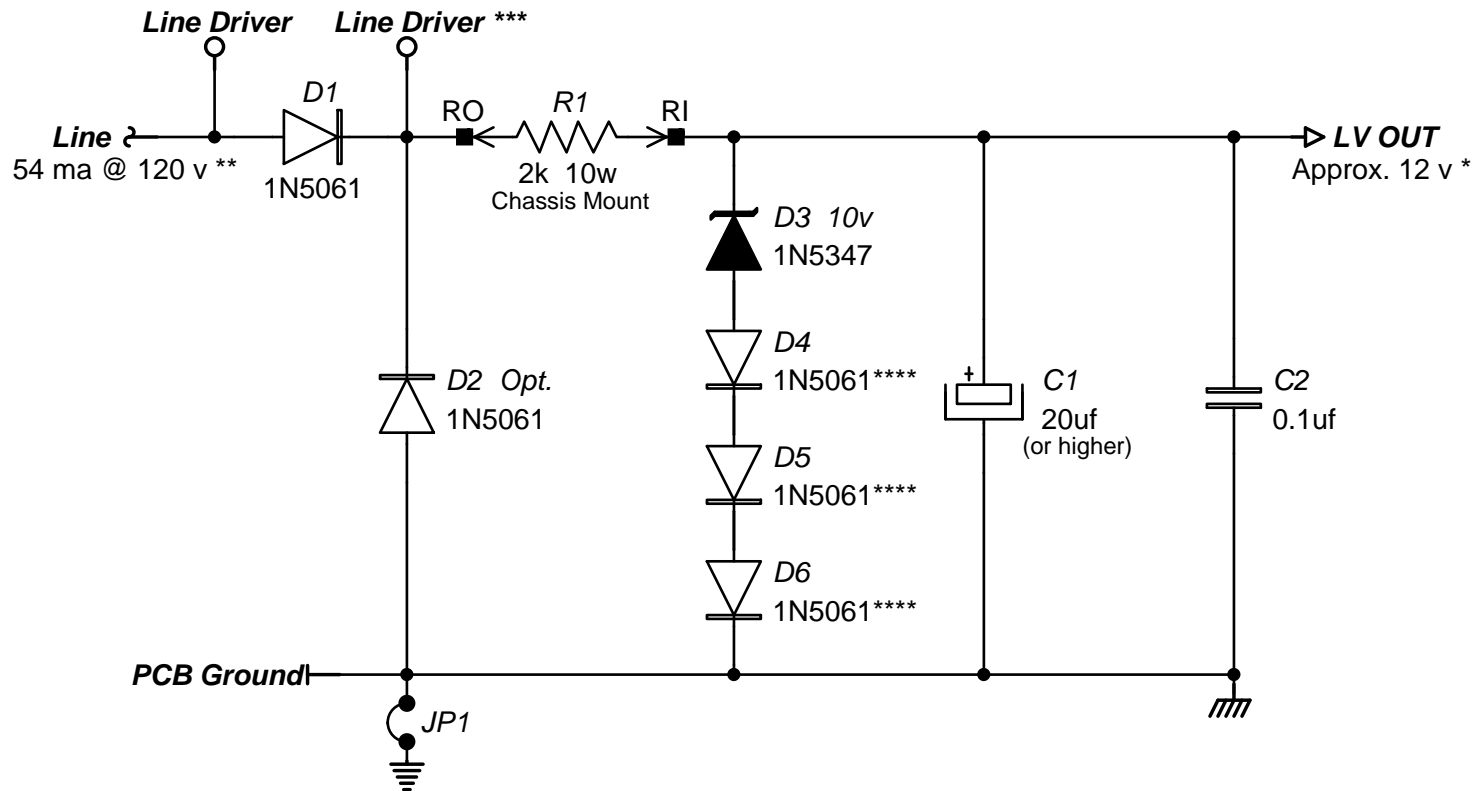


106 RADIATION TOOL TEMP. COMPENSATED LOW VOLTAGE POWER SUPPLY

Forward Junction Compensated Version



Copyright 2008 by AnaLog Services, Inc. All rights reserved.
 Reproduction is unlawful without express written permission.

NOTES:

- * Voltage regulation better than .005% per degree C to 200 C.
- ** Approximately 60 ma @ 120 v with TIP-120 CCL amplifier.
- *** Input negative pulses only at this port.
- **** 1N400X diodes can also be used.

AnaLog Services, Inc.

1169 Haynesville Road - Reynolds Station, KY 42368 (270) 276-5671 Fax: (270) 276-5588

106 LV Power Supply 1

106LVPS1.sch

Sheet Size: A

Creation Date: 04/25/2008

Drawn By: Syd H. Levine

Revision: 1.0

Modify Date: 01/21/2010

Sheet 1 of 1