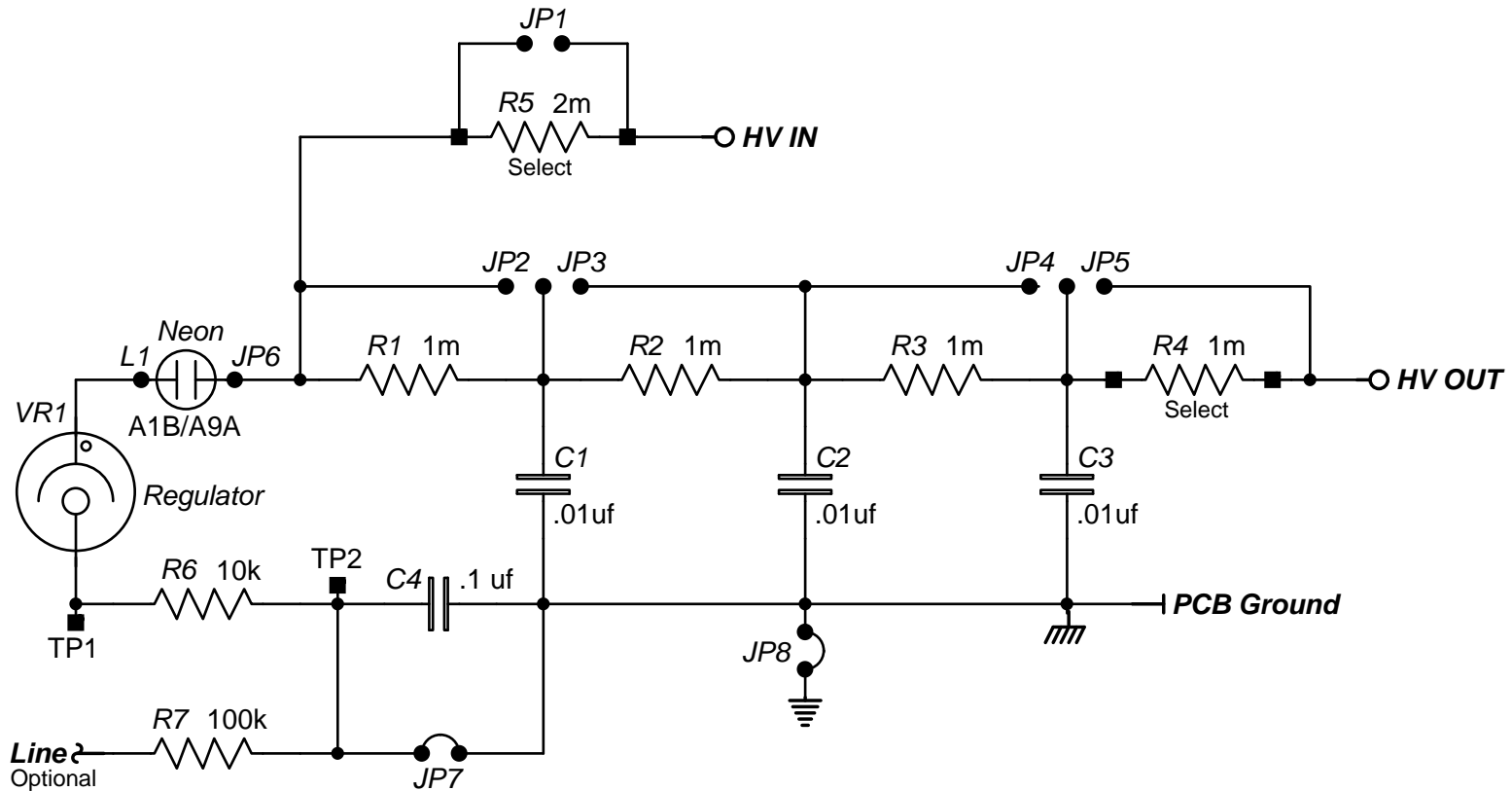


# 106 RADIATION TOOL HIGH VOLTAGE REGULATOR / FILTER



Copyright 2008 by AnaLog Services, Inc. All rights reserved.  
 Reproduction is unlawful without express written permission.

**NOTES:**

Neon lamp boosts regulated voltage about 60 volts, and serves as a pilot.  
 Regulator current measured across TP1 and TP2; .6 volts = 60 microamps.  
 JP7 in place for normal operation; cut for 120 volt boost to HV output.  
 Use either Victoreen Corotron or AnaLog Codatron regulator.

## AnaLog Services, Inc.

1169 Haynesville Road - Reynolds Station, KY 42368 (270) 276-5671 Fax: (270) 276-5588

106 HV Regulator / Filter 106HVRF1.sch

Sheet Size: A Creation Date: 04/25/2008 Drawn By: Syd H. Levine

Revision: 1.0 Modify Date: 11/13/2009 Sheet 1 of 1