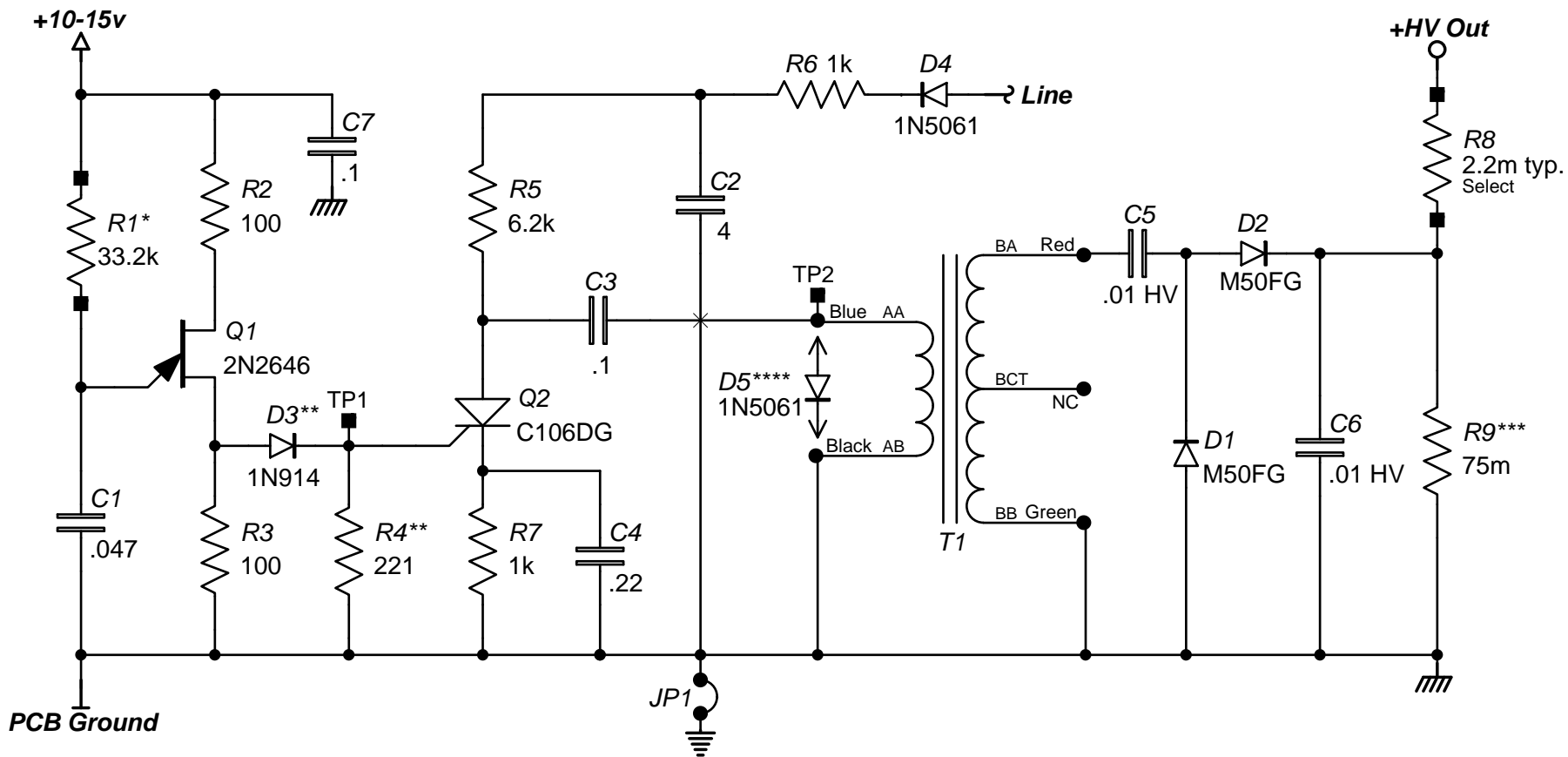


RADIATION TOOL HIGH VOLTAGE SUPPLY

Comprobe / GOI Nuvistor Tool SCR Variant (Dual HV Diodes)



Copyright 2009 by AnaLog Services, Inc. All rights reserved.
 Reproduction is unlawful without express written permission.

NOTES:

- * R1 sets frequency; approximately 500 Hz as shown.
- ** D3 and R4 sometimes omitted by Comprobe.
- *** R9 used only with gas detector tubes.
- **** D5 optional; not used by Comprobe but present in GOI Nuvistor tools.

www.logwell.com

AnaLog Services, Inc.

1169 Haynesville Road - Reynolds Station, KY 42368 (270) 276-5671 Fax: (270) 276-5588

106 HV Power Supply

106HVPS7b.sch

Sheet Size: A

Creation Date: 07/29/2009

Drawn By: Syd H. Levine

Revision: 1.0

Modify Date: 11/13/2009

Sheet 1 of 1