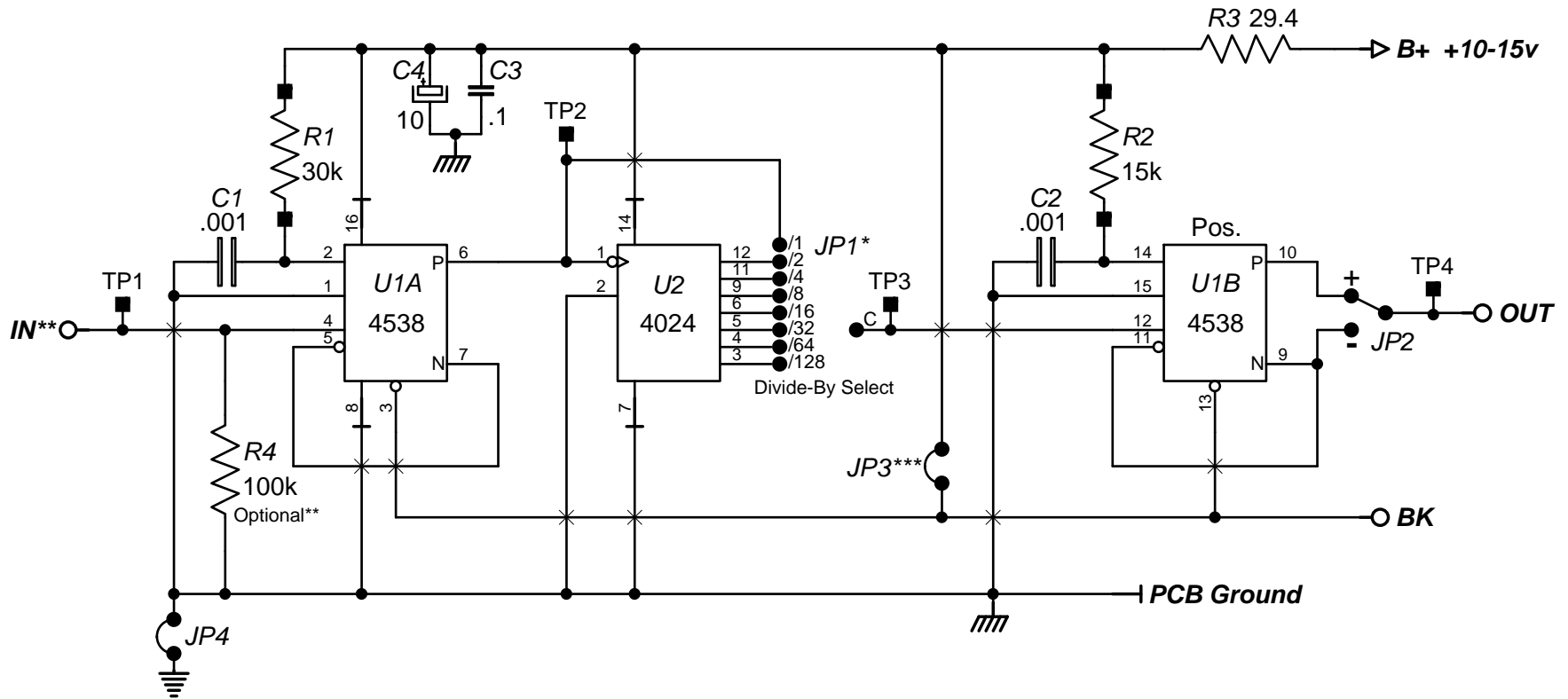


106 RADIATION TOOL DIVIDER

4538 Version with Anti-Collision Protection and Bond Kill Ready (106BK-2)



Copyright 2007 by AnaLog Services, Inc. All rights reserved.
 Reproduction is unlawful without express written permission.

NOTES:

- * Gamma /1 or /2, G-M /1, Neutron /2 or /4, 4 pi /8, Tracer /8 or /16
- ** Ground any unused pulse input in dual versions of this circuit.
- *** If bond kill is used, cut jumper at JP3 ("clear" inputs to B+).

AnaLog Services, Inc.

1169 Haynesville Road - Reynolds Station, KY 42368 (270) 276-5671 Fax: (270) 276-5588

106 Divider DR-2

106DR2.sch

Sheet Size: A

Creation Date: 08/26/2007

Drawn By: Syd H. Levine

Revision: 1.0

Modify Date: 02/11/2010

Sheet 1 of 1