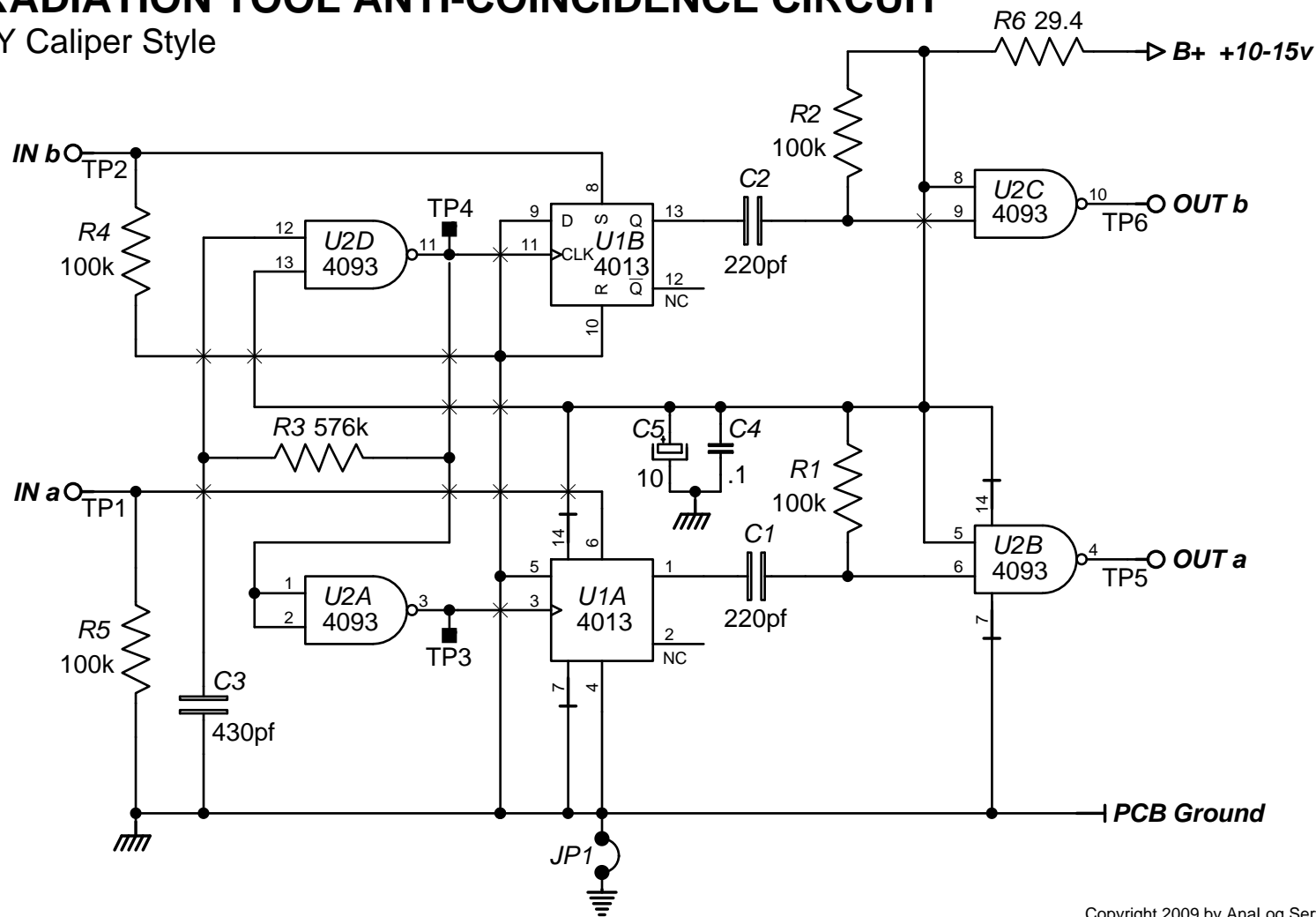


# 106 RADIATION TOOL ANTI-COINCIDENCE CIRCUIT

GO X-Y Caliper Style



Copyright 2009 by AnaLog Services, Inc. All rights reserved.  
 Reproduction is unlawful without express written permission.

## AnaLog Services, Inc.

1169 Haynesville Road - Reynolds Station, KY 42368 (270) 276-5671 Fax: (270) 276-5588

Anti-Coincidence Circuit 106AC5b.sch

Sheet Size: A Creation Date: 08/30/2009 Drawn By: Syd H. Levine

Revision: 1.0 Modify Date: 04/05/2010 Sheet 1 of 1