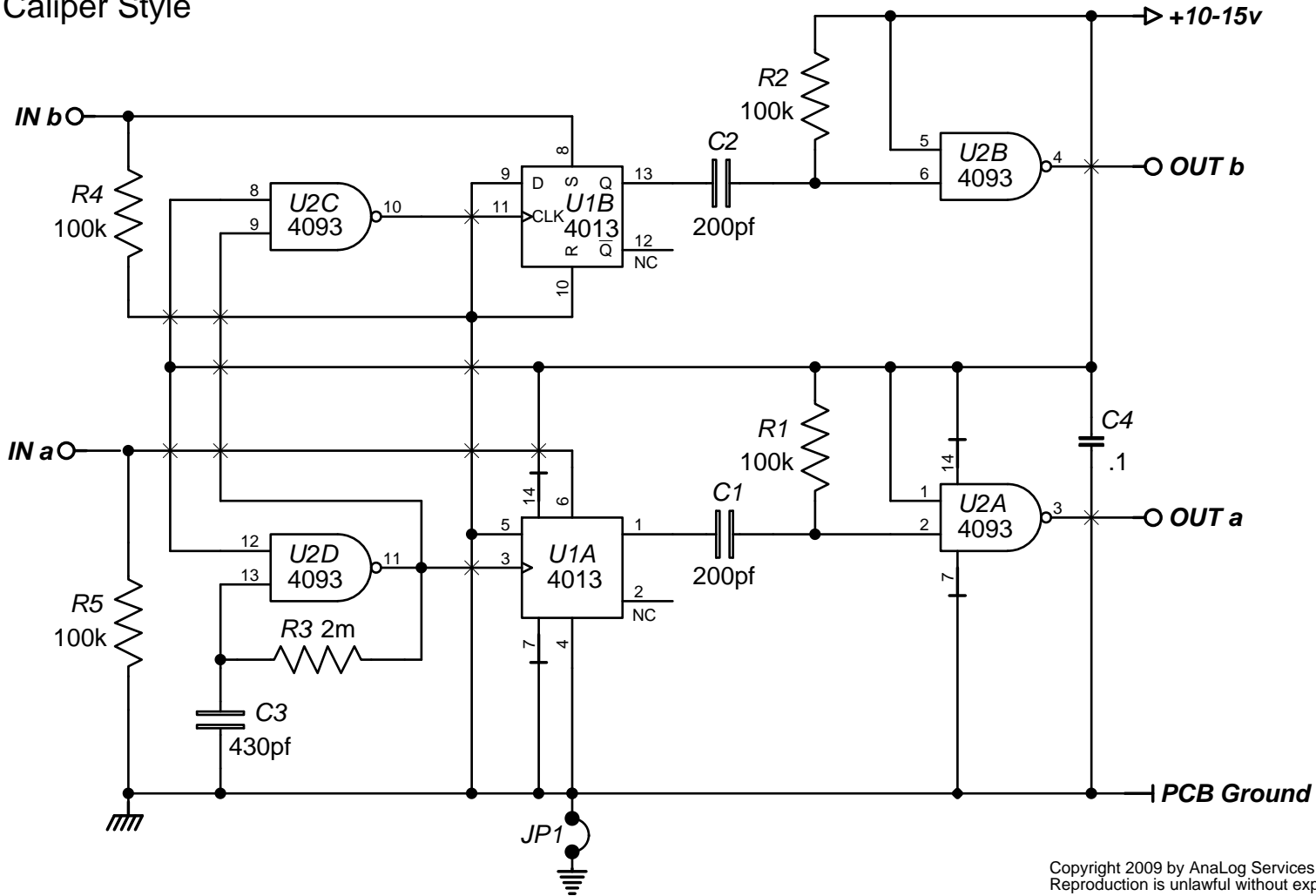


1 2 3 4 5 6 7 8

A 106 RADIATION TOOL ANTI-COINCIDENCE CIRCUIT

GO X-Y Caliper Style



Copyright 2009 by AnaLog Services, Inc. All rights reserved. Reproduction is unlawful without express written permission.

AnaLog Services, Inc.

1169 Haynesville Road - Reynolds Station, KY 42368 (270) 276-5671 Fax: (270) 276-5588

Anti-Coincidence Circuit 106AC5a.sch

Sheet Size: A	Creation Date: 08/30/2009	Drawn By: Syd H. Levine
Revision: 1.0	Modify Date: 11/13/2009	Sheet 1 of 1

H