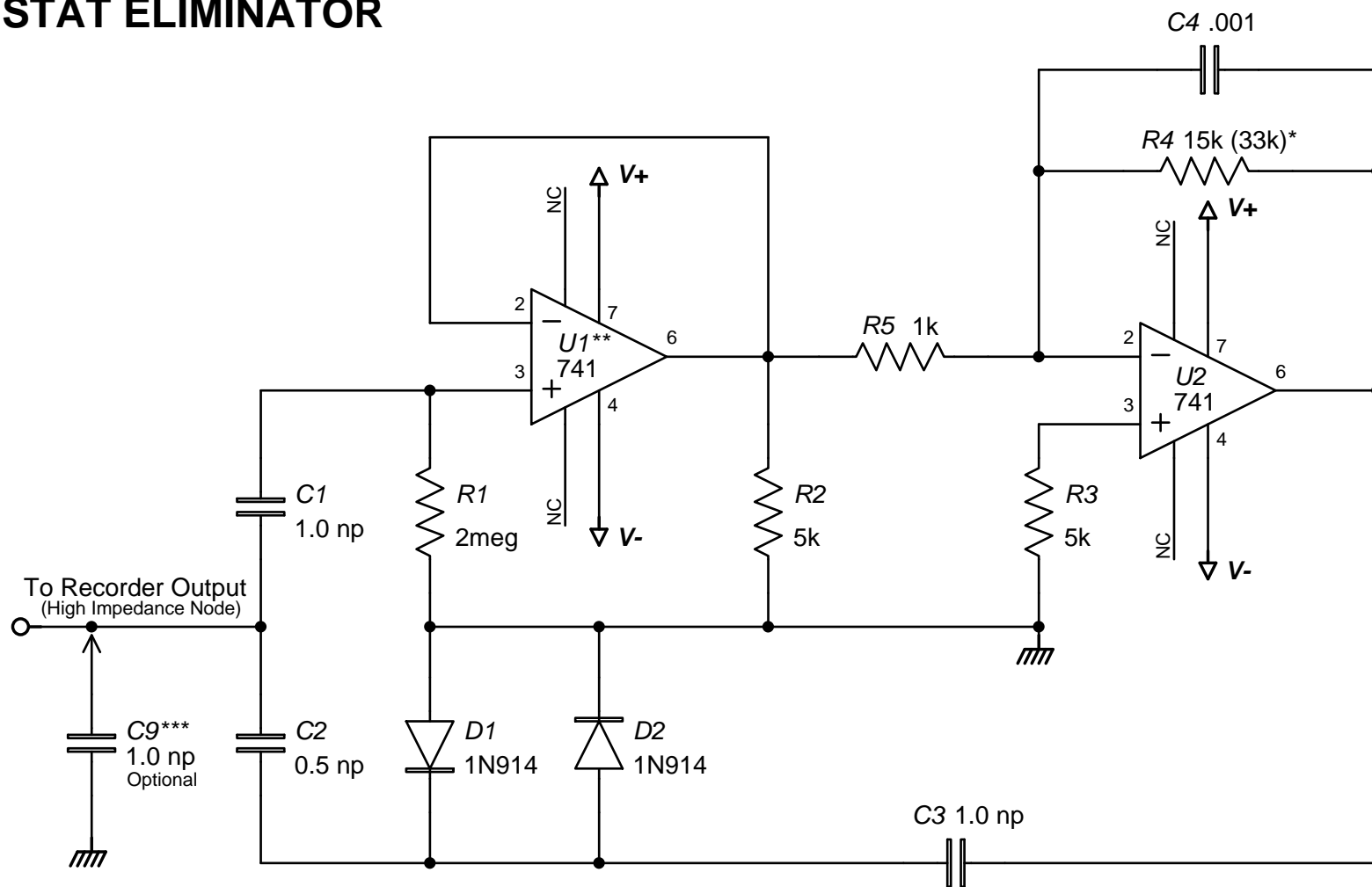


SIE STAT ELIMINATOR



Copyright 2001 by AnaLog Services, Inc. All rights reserved.
 Reproduction is unlawful without express written permission.

NOTES:
 * R4 was originally 33K, but 15k is better for most ratemeters.
 ** For U1, the LM310 performs better than the 741.
 *** A 1.0 mfd capacitor to ground may be necessary at the output to prevent oscillation in rare cases (C9).

AnaLog Services, Inc.

1169 Haynesville Road - Reynolds Station, KY 42368 (270) 276-5671 Fax: (270) 276-5588

SIE Stat Eliminator		SESE1.sch
Sheet Size: A	Creation Date: 05/04/2001	Drawn By: Syd H. Levine
Revision: 1.0	Modify Date: 11/11/2009	Sheet 1 of 1