

A

UNITY GAIN FOLLOWER / RECORDER OUTPUT AMPLIFIER

This gadget can buffer panel recorder outputs and provide amplified outputs.

B

C

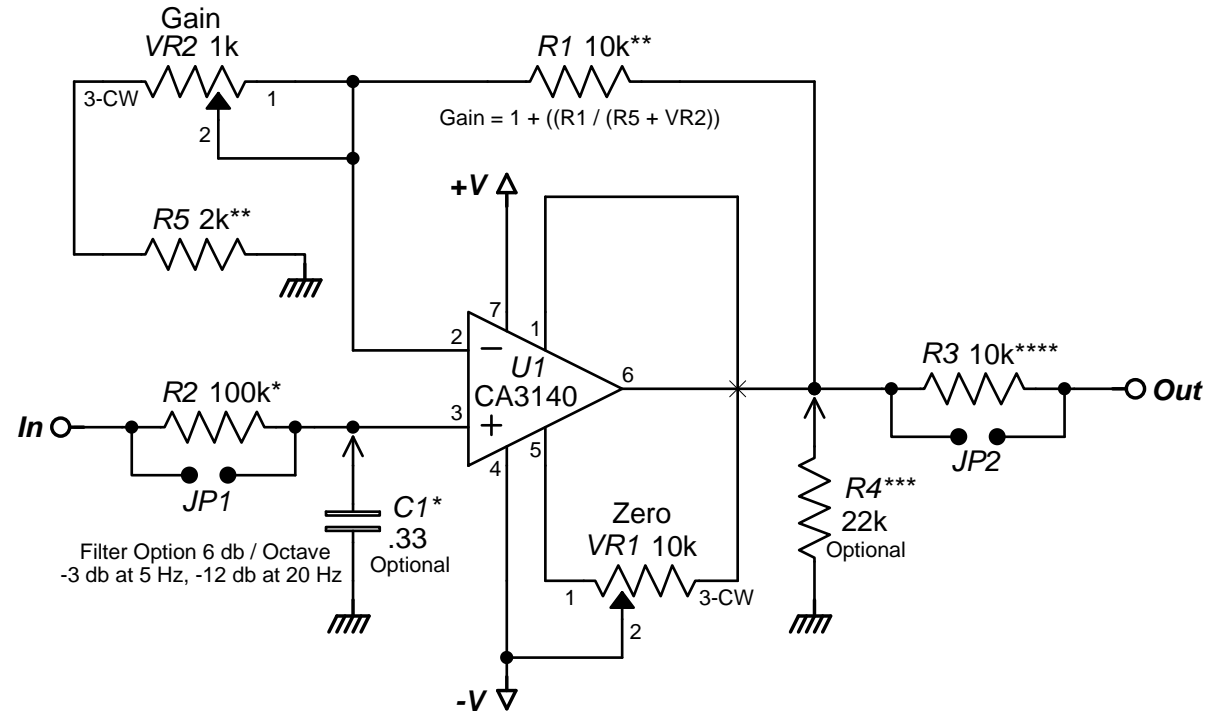
D

E

F

G

H



Copyright 2009 by AnaLog Services, Inc. All rights reserved. Reproduction is unlawful without express written permission.

NOTES:
 * Omit C1 if filter option not needed; R2 may be 1k or so without C1.
 ** Omit R5 for follower; install R5 for amplification (values shown for x5).
 *** R4 may be needed in some applications to make the recorder happy.
 **** R3 selected to give desired Stat Eliminator response (if one is used).

AnaLog Services, Inc.

1169 Haynesville Road - Reynolds Station, KY 42368 (270) 276-5671 Fax: (270) 276-5588

Recorder Output Amp		SEROA1.sch
Sheet Size: A	Creation Date: 11/06/2009	Drawn By: Syd H. Levine
Revision: 1.0	Modify Date: 11/11/2009	Sheet 1 of 1