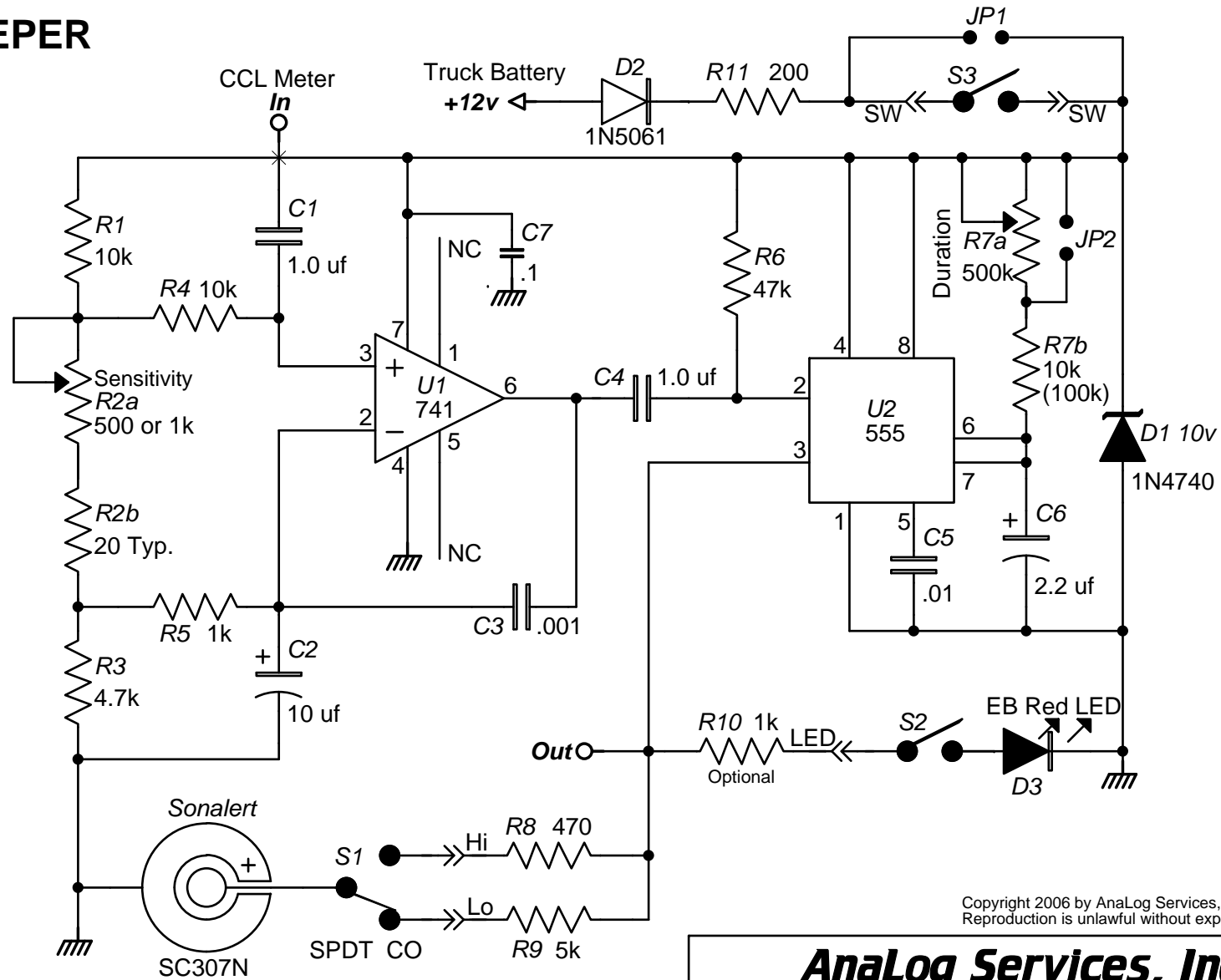


CCL BEEPER



Copyright 2006 by AnaLog Services, Inc. All rights reserved.
 Reproduction is unlawful without express written permission.

AnaLog Services, Inc.

1169 Haynesville Road - Reynolds Station, KY 42368 (270) 276-5671 Fax: (270) 276-5588

CCL Beeper

CCLB2a.sch

Sheet Size: A

Creation Date: 09/16/2006

Drawn By: Syd H. Levine

Revision: 1.0

Modify Date: 11/11/2009

Sheet 1 of 1

Designed by Barry Pickens

Use of or reliance on this schematic is entirely at your own risk.

www.logwell.com

PCB: CCLB-3b