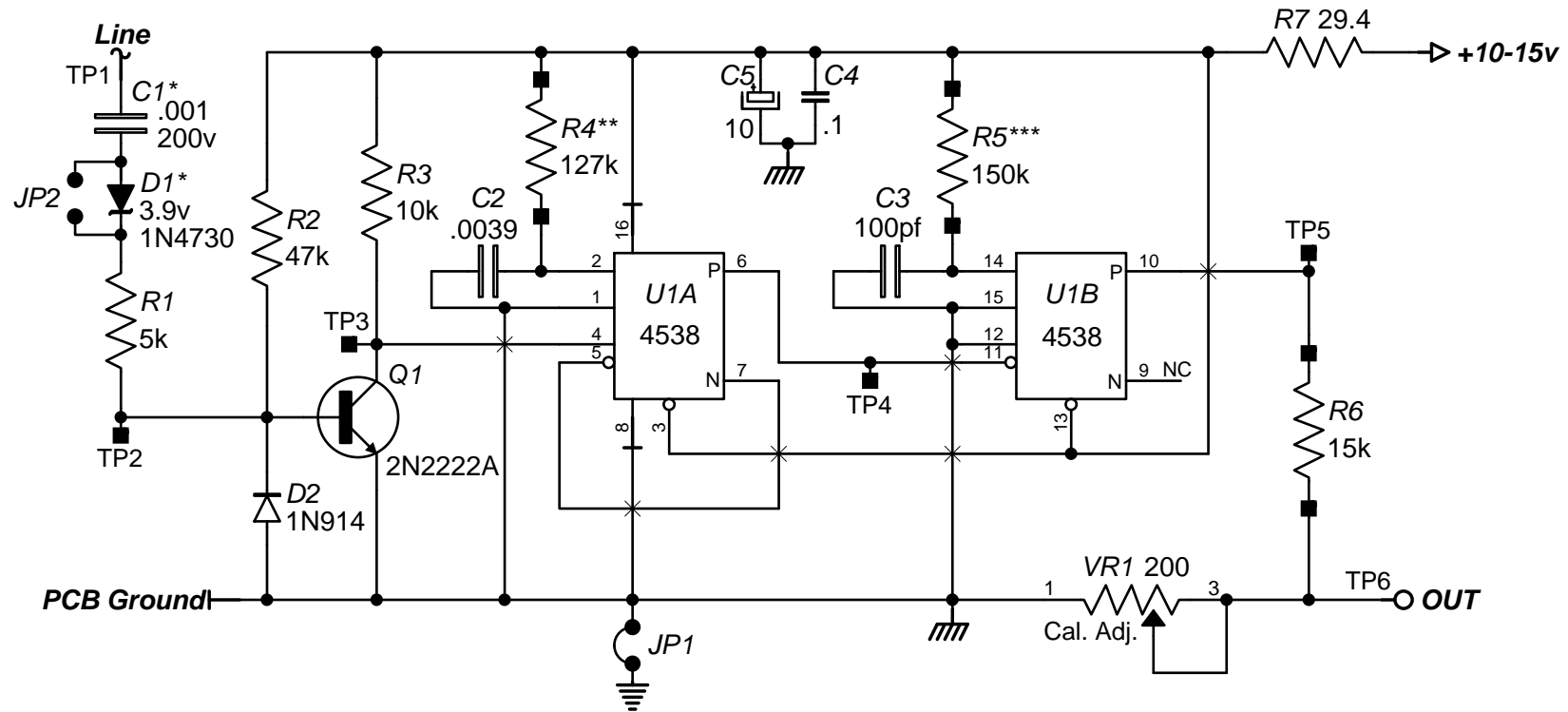


# CEMENT BOND TOOL PULSE CALIBRATION CIRCUIT

CRC / Western Style Improved Pulse Output



Copyright 2009 by AnaLog Services, Inc. All rights reserved.  
 Reproduction is unlawful without express written permission.

## NOTES:

- \* C1 ranges from 500pf to .005uf depending on trigger pulse amplitude. Select D1 to prevent self-triggering; install JP2 for weak trigger pulses.
- \*\* R4 sets cal pulse position; about 250 useconds as shown.
- \*\*\* R5 sets cal pulse width.
- \*\*\*\* R6=15k for 15 volt, 12K for 12 volt, 10k for 10 volt supply.

## AnaLog Services, Inc.

1169 Haynesville Road - Reynolds Station, KY 42368 (270) 276-5671 Fax: (270) 276-5588

CBT Calibration Circuit

CBLCAL2.sch

Sheet Size: A

Creation Date: 03/14/2009

Drawn By: Syd H. Levine

Revision: 1.0

Modify Date: 11/12/2009

Sheet 1 of 1