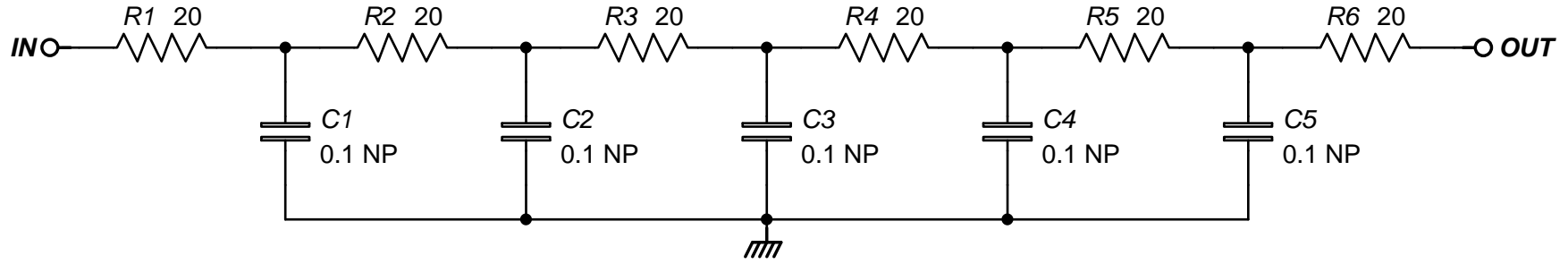


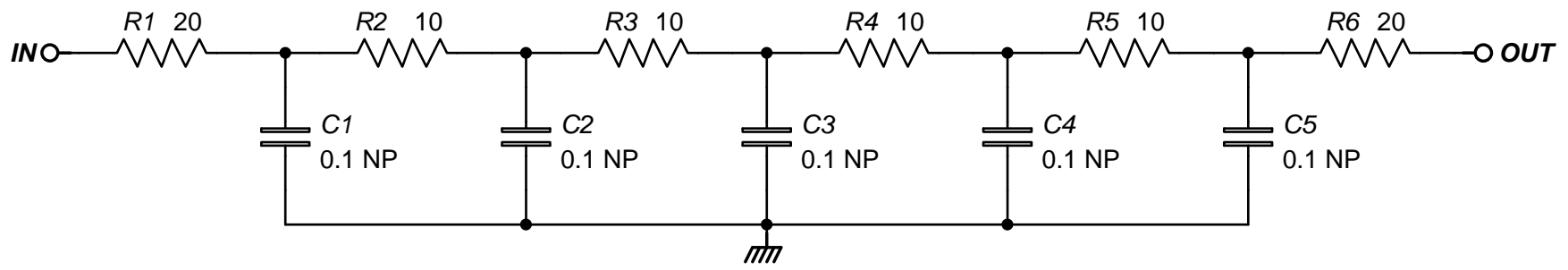
1 2 3 4 5 6 7 8

DUMMY LINE / WIRELINE SIMULATOR

SIE Style



Bell Style



Copyright 2007 by AnaLog Services, Inc. All rights reserved.
 Reproduction is unlawful without express written permission.

NOTES:
 All resistors 1 or 2 watt, non-inductive (carbon composition).
 All capacitors 400 or 600 volt film (Mylar), Sprague 715P or equiv.
 Each stage simulates approximately 2,000 feet of standard 5/16 inch logging cable; about 10,000 feet as shown with 5 stages.

AnaLog Services, Inc.

1169 Haynesville Road - Reynolds Station, KY 42368 (270) 276-5671 Fax: (270) 276-5588

Dummy Line

SEDLA.sch

Sheet Size: A	Creation Date: 01/22/2007	Drawn By: Syd H. Levine
Revision: 1.0	Modify Date: 11/16/2009	Sheet 1 of 1