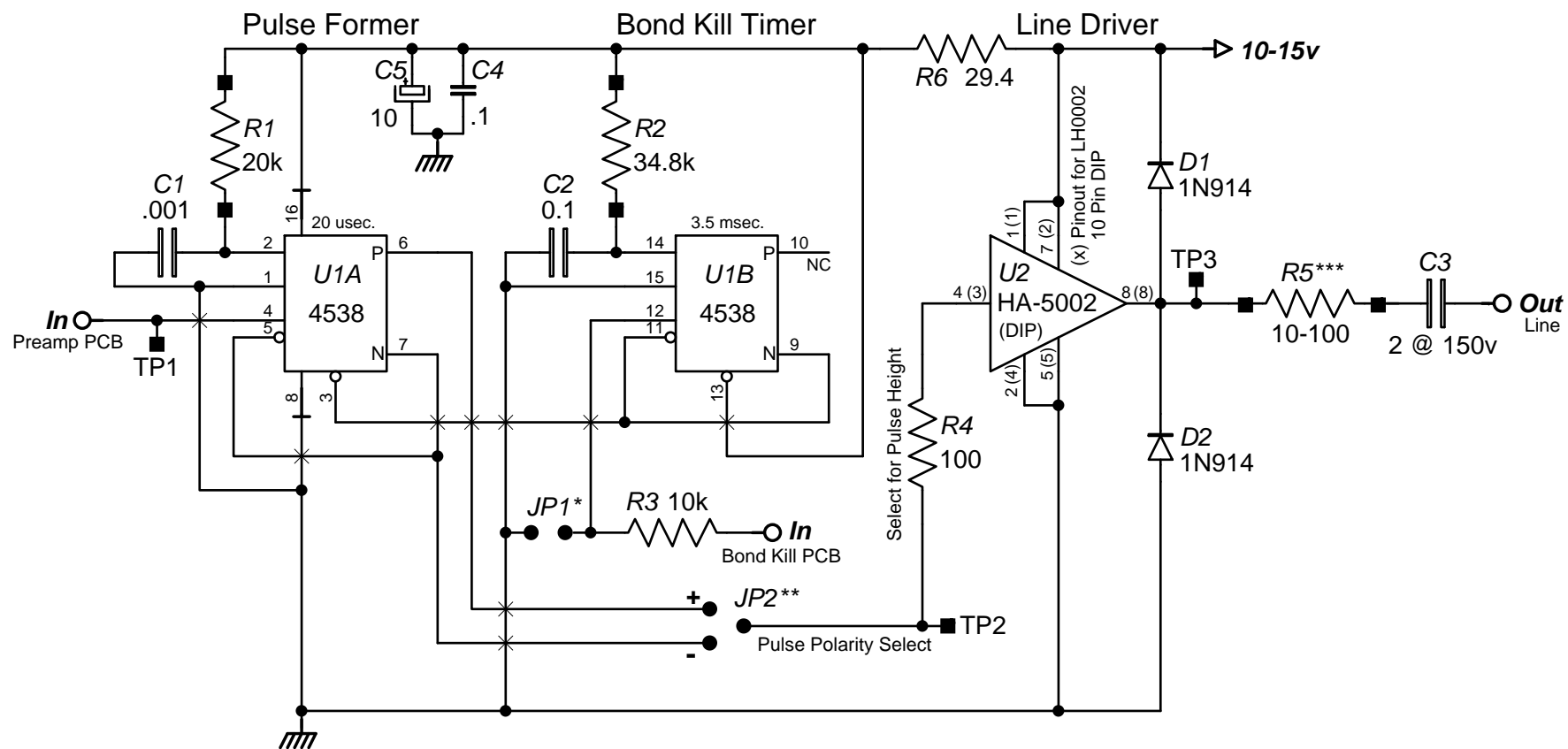


# UNIVERSAL PULSE FORMER / LINE DRIVER

Single Channel - Bond Kill Ready



Copyright 2007 by AnaLog Services, Inc. All rights reserved.  
 Reproduction is unlawful without express written permission.

## NOTES:

- \* If bond kill is not used, install jumper at JP1.
- \*\* Use JP2 to select positive or negative pulse polarity.
- \*\*\* R5 required for simultaneous bond logging; 10 ohms minimum.

## AnaLog Services, Inc.

1169 Haynesville Road - Reynolds Station, KY 42368 (270) 276-5671 Fax: (270) 276-5588

Universal Line Driver

DHULD1.sch

Sheet Size: A

Creation Date: 07/28/2007

Drawn By: Syd H. Levine

Revision: 1.0

Modify Date: 11/16/2009

Sheet 1 of 1