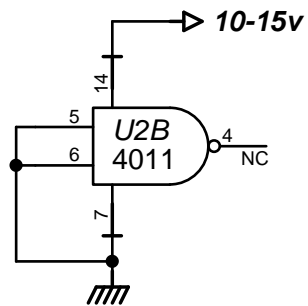
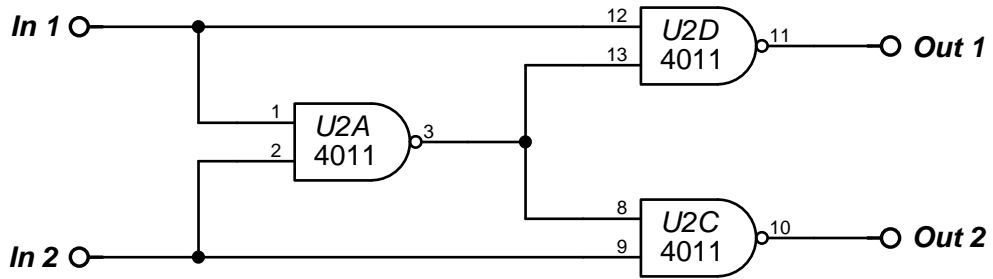


SIMPLE ANTI-COINCIDENCE CIRCUIT

wellog.com's Simplest Circuit



Copyright 2007 by AnaLog Services, Inc. All rights reserved. Reproduction is unlawful without express written permission.

AnaLog Services, Inc.

1169 Haynesville Road - Reynolds Station, KY 42368 (270) 276-5671 Fax: (270) 276-5588

Anti-Coincidence Circuit		DHAC1.sch
Sheet Size: A	Creation Date: 08/27/2007	Drawn By: Syd H. Levine
Revision: 1.0	Modify Date: 11/16/2009	Sheet 1 of 1